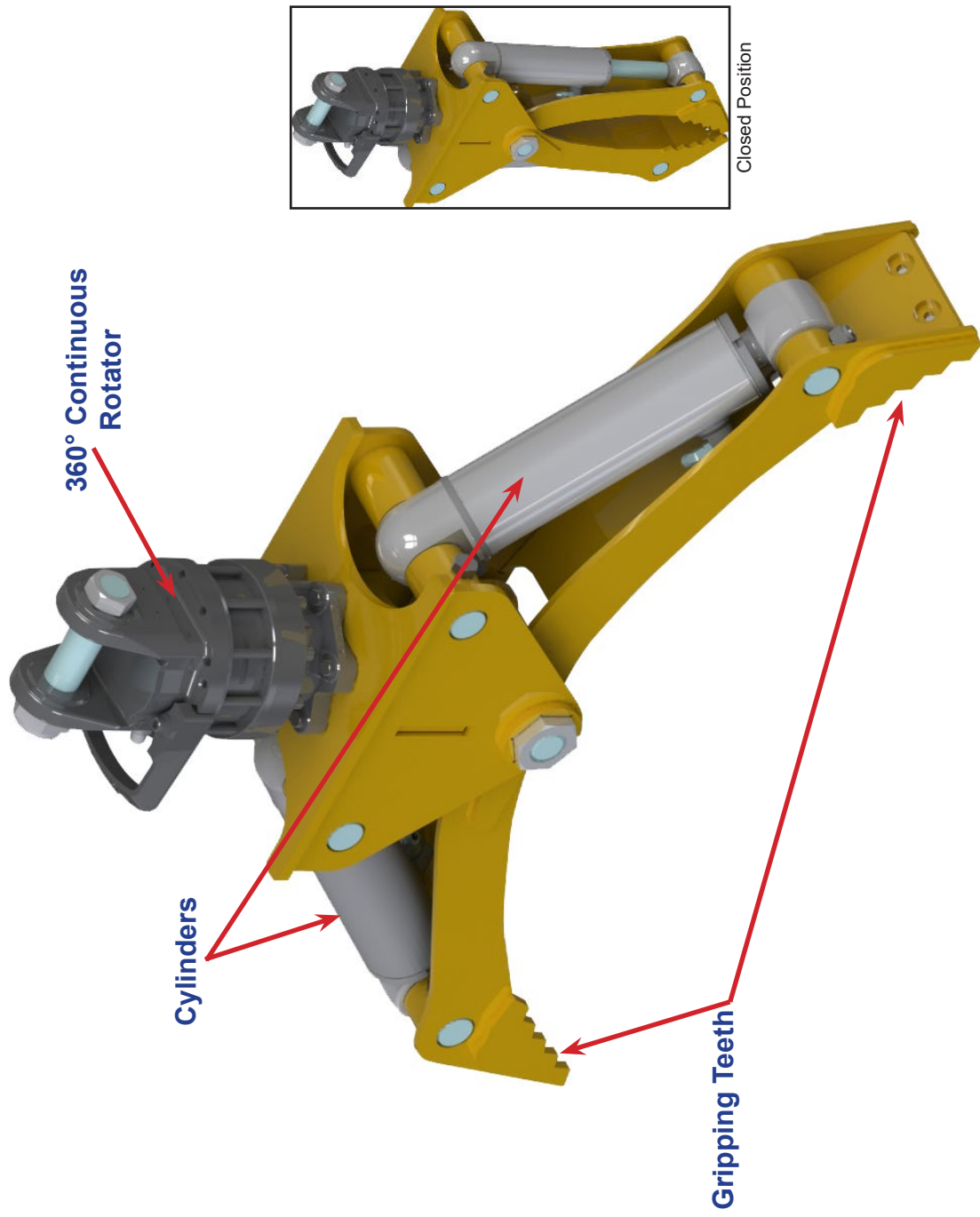


The **Builtrite™ Single Log Positioning Grapple** is designed for grabbing and re-positioning logs in a wood mill infeed pond and conveyor. It can also be used on a mini-excavator, to move and load logs into a truck or trailer.

Key features include:

- A wide opening (48"), with gripping teeth for securely grabbing and manipulating logs onto conveyors or in ponds.
- Narrow width, to allow manipulation in tight areas
- Tried and true, vane styled rotator
- Heavy duty cylinders
- All pivot points employ large pins and replaceable bushings for long life.

If you're looking for the toughest, most durable grapple on the market, look no further...make it a **Builtrite™**.



Builtrite Lemco

530 Recycle Center Drive
Two Harbors, MN 55616

☎ **218-834-5555** ✉ sales@builtrite.com 🌐 www.builtrite.com

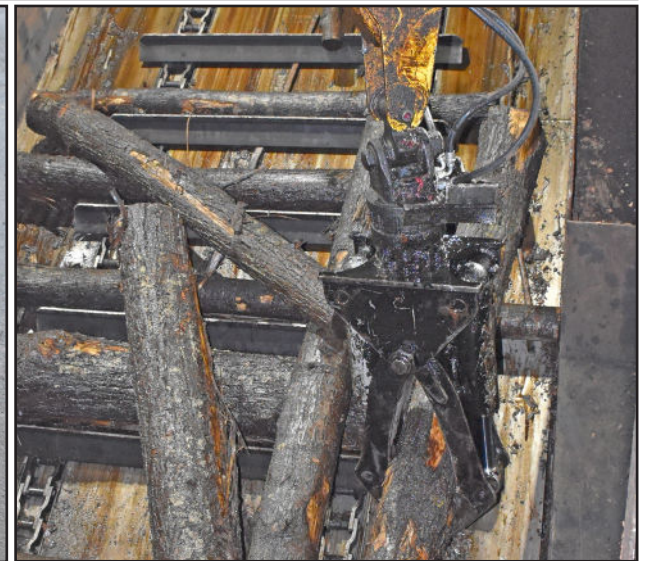
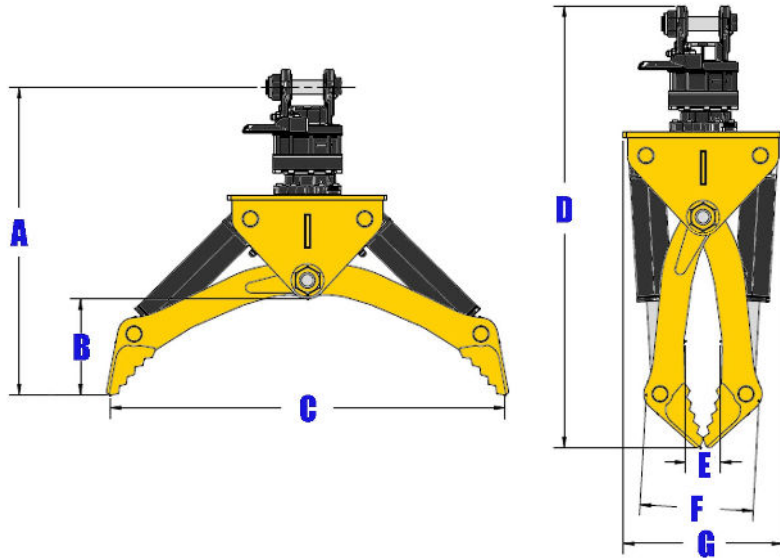
P/N 1.5YD³ Clamshell Bucket © May 2024 - Builtrite Manufacturing - All Rights Reserved.



TENAMEC
ENGINEERED TOUGH

Single Log Positioning Grapple Specifications

Model	Weight		(A)		(B)		(C)		(D)		(E)		(F)		(G)	
	Lbs.	Kg.	in.	mm	in.	mm	in.	mm	in.	mm	in.	mm	in.	mm	in.	mm
SLPG 48	540	245	37.5	953	12	305	48	1,219	54	1,372	4.3	109	14	356	19.5	495



HYDRAULIC REQUIREMENTS

	Max. Flow GPM / LPM	Max. Pressure PSI / Bar
Waste Clamshell Grapple		
Open / Close	16 / 61	2500 / 172
Rotation	6 / 23	1750 / 121

BUILTRITE LEMCO RESERVES THE RIGHT TO CHANGE SPECIFICATIONS AND PRICES WITHOUT NOTICE IN ORDER TO FOLLOW ITS POLICY OF CONSTANTLY STRIVING TO MANUFACTURE A BETTER PRODUCT WITHOUT INCURRING ANY LIABILITY TO PROVIDE THESE NEW FEATURES ON ANY UNITS PREVIOUSLY MANUFACTURED.

