

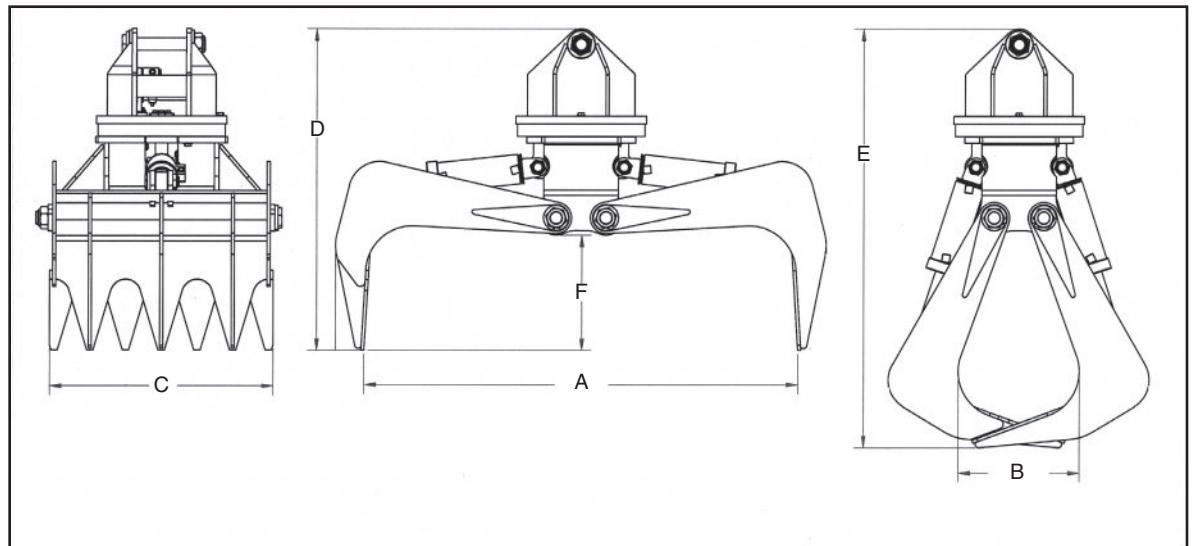
**HEAVY DUTY**

*Continuous Rotation*



<b>Opening</b>	<b>69-1/2 in.</b>
<b>Rotation</b>	<b>Continuous</b>
<b>Rotator lifting capacity</b>	<b>19500 Lbs.</b>
<b>Torque at relief pressure</b>	<b>1333 Ft-lbs. @ 1800 psi</b>
<b>Cross over relief @ 1800 psi</b>	<b>Single rotate motor</b>
<b>Arm Construction</b>	<b>Hi-tensil T-1</b>
<b>Weight</b>	<b>1675 Lbs.</b>

Reference	Dimension
A	69-1/2 in.
B	19-1/2 in.
C	36 in.
D	51-1/2 in.
E	67 in.
F	18-1/2 in.



- FEATURES:**
1. Continuous rotation on 20" internal tooth bearing
  2. 1-1/2" diameter cylinder and 2" diameter arm pivot pins
  3. Hard facing on arm tips
- OPTIONS:**
1. Various arm widths available
  2. High pressure cylinders

<b>Rotator: Single Rotation Motor</b>	<b>Maximum pressure: 5000 psi</b>	<b>Recommended flow: 8.5 gpm</b>
---------------------------------------	-----------------------------------	----------------------------------

Cylinder	Cylinder Bore	Recommended pressure	Pressure range	Flow @ 3 sec. closing time
<b>Low Pressure</b>	<b>4"</b>	<b>2000 psi</b>	<b>1750 to 3000 psi</b>	<b>25 gpm</b>
<b>High Pressure</b>	<b>3-1/2"</b>	<b>3000 psi</b>	<b>2500 to 5000 psi</b>	<b>25 gpm</b>

NORTHSHORE MANUFACTURING RESERVES THE RIGHT TO CHANGE SPECIFICATIONS AND PRICES WITHOUT NOTICE IN ORDER TO FOLLOW ITS POLICY OF CONSTANTLY STRIVING TO MANUFACTURE A BETTER PRODUCT WITHOUT INCURRING ANY LIABILITY TO PROVIDE THESE NEW FEATURES ON ANY UNITS PREVIOUSLY MANUFACTURED.