



Log Grapples

Model PG 25 Pulpwood Grapple

The Lemco™ PG 25 Pulpwood Grapple is designed for grabbing and handling multiple short wood logs. Key features include:

- 360° continuous rotation, using a tried and true, extremely reliable, vane style rotator
- Grapple halves have a unique profile that aid in curling logs into the grapple's throat, maximizing each load. It can also be used to pinch individual logs for sorting/realigning purposes.
- A wide opening (72") allows it to reach into corners of truck trailers.
- All pivot points contain greasable bushings for long life and prevent parent material degradation.
- Heavy duty cylinders are designed for high duty cycles.

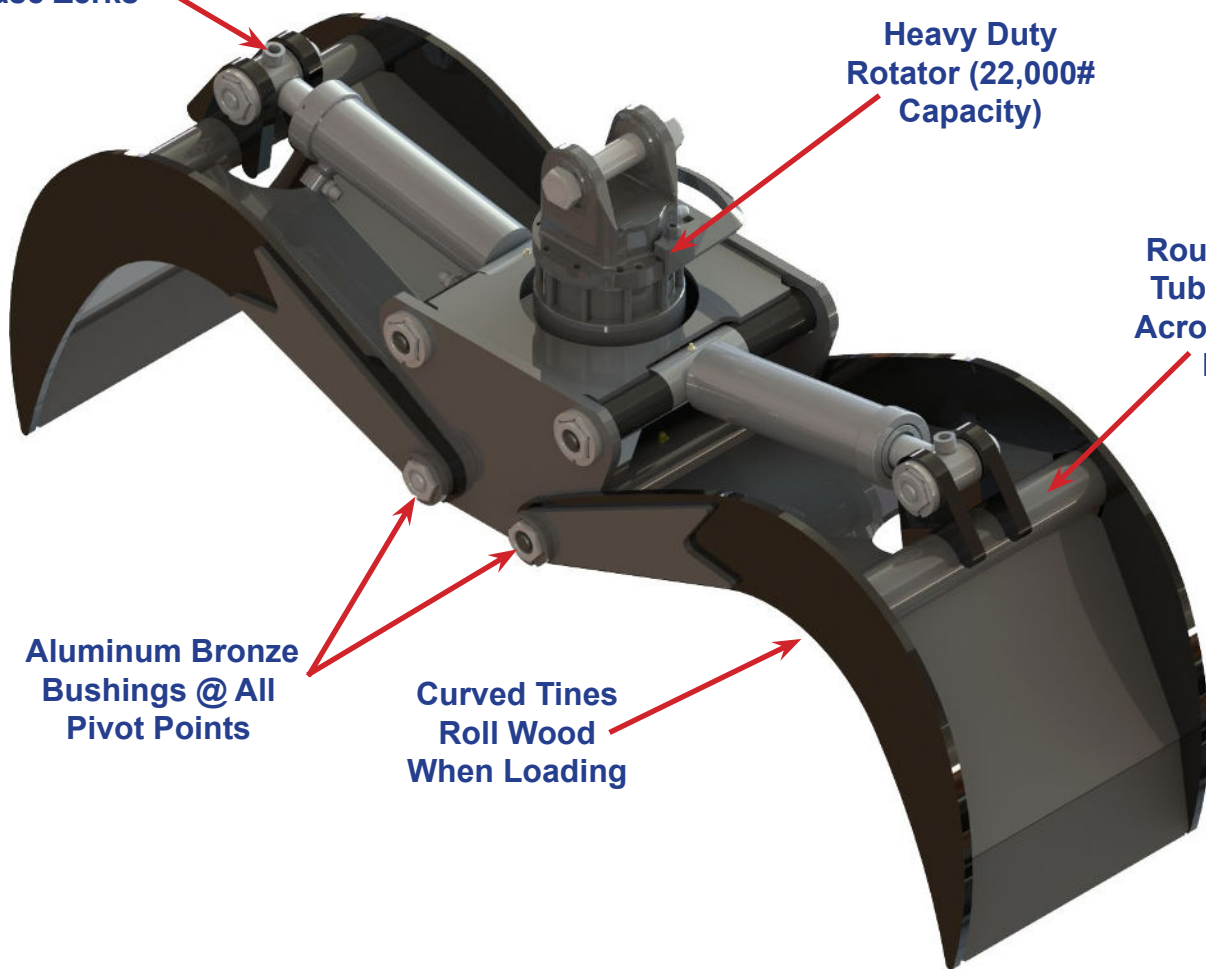
Easily Accessible
Grease Zerks

Heavy Duty
Rotator (22,000#
Capacity)

Round Torque
Tube Extends
Across Grapple
Halves

Aluminum Bronze
Bushings @ All
Pivot Points

Curved Tines
Roll Wood
When Loading



Builrite Lemco
530 Recycle Center Drive
Two Harbors, MN 55616

☎ 218-834-5555 ✉ sales@builrite.com 🌐 www.builrite.com

P/N LEMCO PG 25 2-25-2025

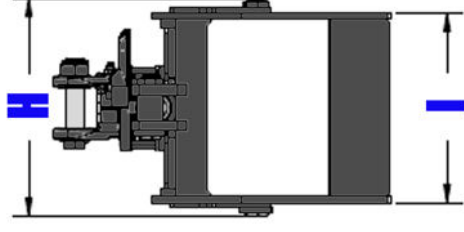
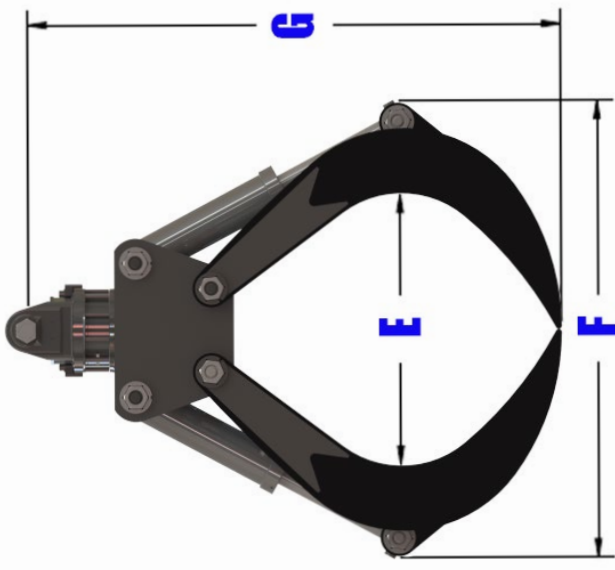
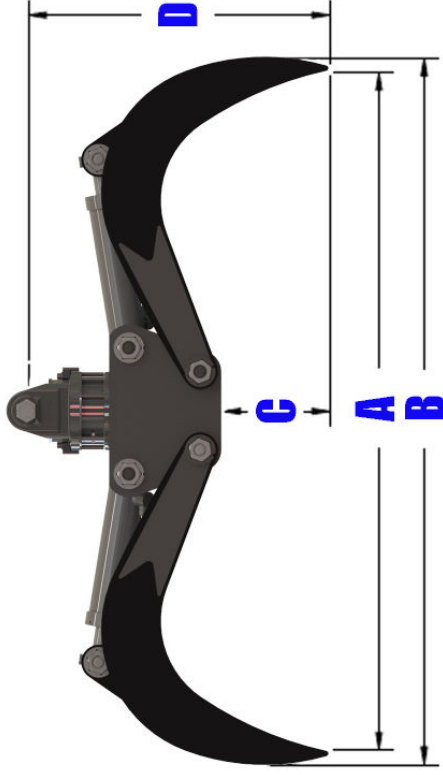


TENAMEC

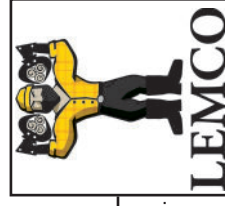
ENGINEERED TOUGH

PG 25 Pulpwood Grapple Specifications

Model	Weight Lbs. Kg.	(A) in. mm	(B) in. mm	(C) in. mm	(D) in. mm	(E) in. mm	(F) in. mm	(G) in. mm	(H) in. mm	(I) in. mm
PG 25	950 432	72 1,829	78 1,981	11.36 289	32 813	27 686	46 1,168	53 1,346	22 559	19 483



HYDRAULIC REQUIREMENTS	
Max. Flow GPM / LPM	Max. Pressure PSI / Bar
Waste Clamshell Grapple	
Open / Close	20 / 75 3500 / 241
Rotation	6 / 23 1750 / 121



BUILTRITE LEMCO RESERVES THE RIGHT TO CHANGE SPECIFICATIONS AND PRICES WITHOUT NOTICE IN ORDER TO FOLLOW ITS POLICY OF CONSTANTLY STRIVING TO MANUFACTURE A BETTER PRODUCT WITHOUT INCURRING ANY LIABILITY TO PROVIDE THESE NEW FEATURES ON ANY UNITS PREVIOUSLY MANUFACTURED.