



**BUILTRITE™**  
HANDLERS & ATTACHMENTS

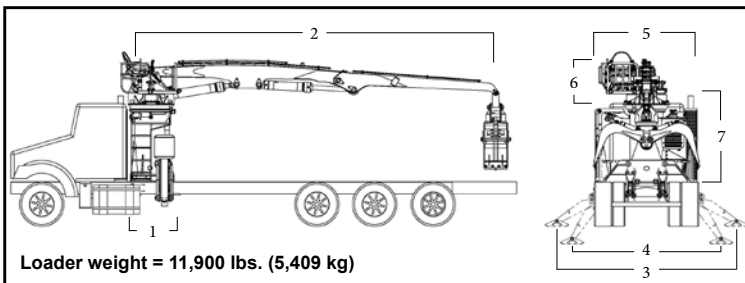
# 2280-TM

**Truck Mounted Material Handler**



The **Builrite™, Model 2280-TM** is Builrite's largest and most powerful Truck Mounted Material Handler, while offering superior operator controls, comfort and safety features. This loader is designed for highway contractors, foundation drilling contractors, pipeline contractors and any other applications, requiring heavy lift capabilities.

# 2280 SPECIFICATIONS



**DIMENSIONS - 27' 6" Boom Option**

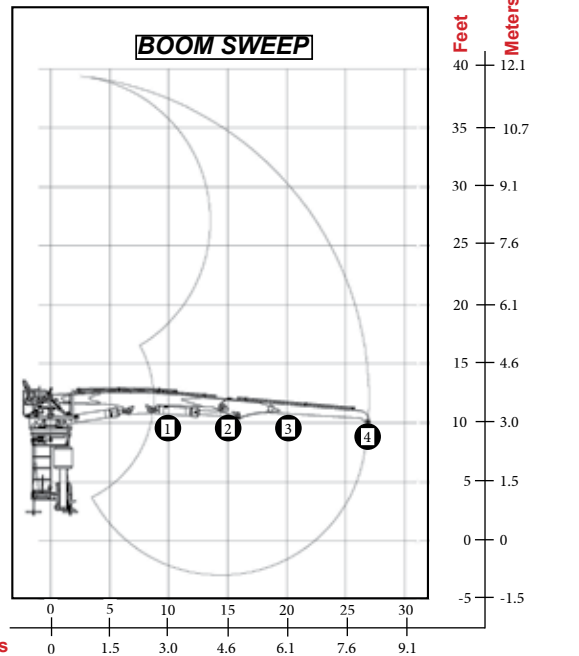
1] 41.125" (104 cm)	5] 8' (2.44 m)
2] 27.5' (8.38 m)	6] 38.25" (97 cm)
3] 14' (4.27 m)	7] 73" (185 cm)
4] 11.6' (3.53 m)	

- BOOM DATA**
- Fabricated Main and Jib boom, made from high tensile steel.
  - Boom Length - Two options: standard 25' 6" or optional 27' 6".
  - Two high powered, LED lights mounted to each side of upper jib boom. Additional light mounted on inside of operator guard.
  - Aluminum bronze bushings on all pivot points.
  - 4" boom and knuckle pivot pins for excellent surface area to force ratio.

- HYDRAULICS**
- Pilot operated, pressure compensated load sense controls using a single, variable piston pump operating at 4,500 PSI. Requires 1450-1550 RPM @ Pump for maximum performance and efficiency.
  - Ergonomic joystick controls to alleviate operator fatigue.
  - Highly efficient, pressure compensated sections in main control valve.
  - 60 gallon hydraulic tank mounted to loader with high capacity, in tank return filter.
  - High capacity, 12 Volt oil cooler with bypass.
  - Hydraulic / Electric collector features 10 hydraulic passes and 8 electrical passes.

- CYLINDERS**
- Main BOOM - One (1) 6.5" (165mm) bore x 4" (101mm) rod.
  - Jib Boom - One (1) 6.5" (165mm) bore, x 4" (101mm) rod.
  - Hydraulic stop cushions on both ends.
  - Wear rings on both pistons and glands.
  - Rods with heavy chrome plating.
  - Bolt on end caps.

- SWING SYSTEM**
- Continuous rotation using heavy duty, 39" internal tooth rotation bearing (42 bolts top/bottom) and dual hydraulic motor/gearbox capable of providing 6 RPM and 34,590 Ft. Lbs. of torque.
  - Foot pedal controlled.



**LIFT CAPACITY** 27.6' (8.42 m) Boom Option, Less Attachment  
(Measured at 10' above ground level)

RADIUS	LIFT	RADIUS	LIFT
10' (1.5 m)	26994 lbs. (12244 kg)	FULL REACH	9469 lbs. (4295 kg)
15' 3.0 m)	19914 lbs. (9033 kg)		
20' (6.1 m)	15354 lbs. (6964 kg)		

- TOWER**
- Fabricated structure with enhanced access to hydraulic and electrical collector, with easily removable metal covers.
  - 18" wide ladder, featuring 2" deep rungs with grip strut treading for maximum traction/anti slip. Solid round, 3/4" diameter steel rod, hand grips.
  - The tower requires 42" of truck frame for mounting.

- OPERATOR PLATFORM**
- Platform rotates with operator for maximum visibility.
  - Ergonomic seat and joystick controls for maximum comfort.
  - Safety guard rail around operator with heavy duty, front shield.
  - Comfortable, fold down operator's seat with seat belt.

- STABILIZERS**
- Independently operated, fold away type stabilizer legs allow loader to be operated on uneven surfaces.
  - Controls located on operator's platform or mounted remotely under ladder.
  - Heavy duty stabilizer leg pins and cylinder pins are easily accessible for ease of service.
  - Optional - 14' or 15' stabilizer ground spread.

- MISC.**
- Centralized grease zerk location on operators platform.
  - Various attachments available.



530 Recycle Center Drive • Two Harbors, MN 55616 • [builtrite.com](http://builtrite.com) • Phone: (218) 834-5555

We are TENAMEC—where tenacious and mechanical fuse. TENAMEC is proud to create the world's most durable material handling solutions under the Builtrite, SAS Forks and Lemco brands.

