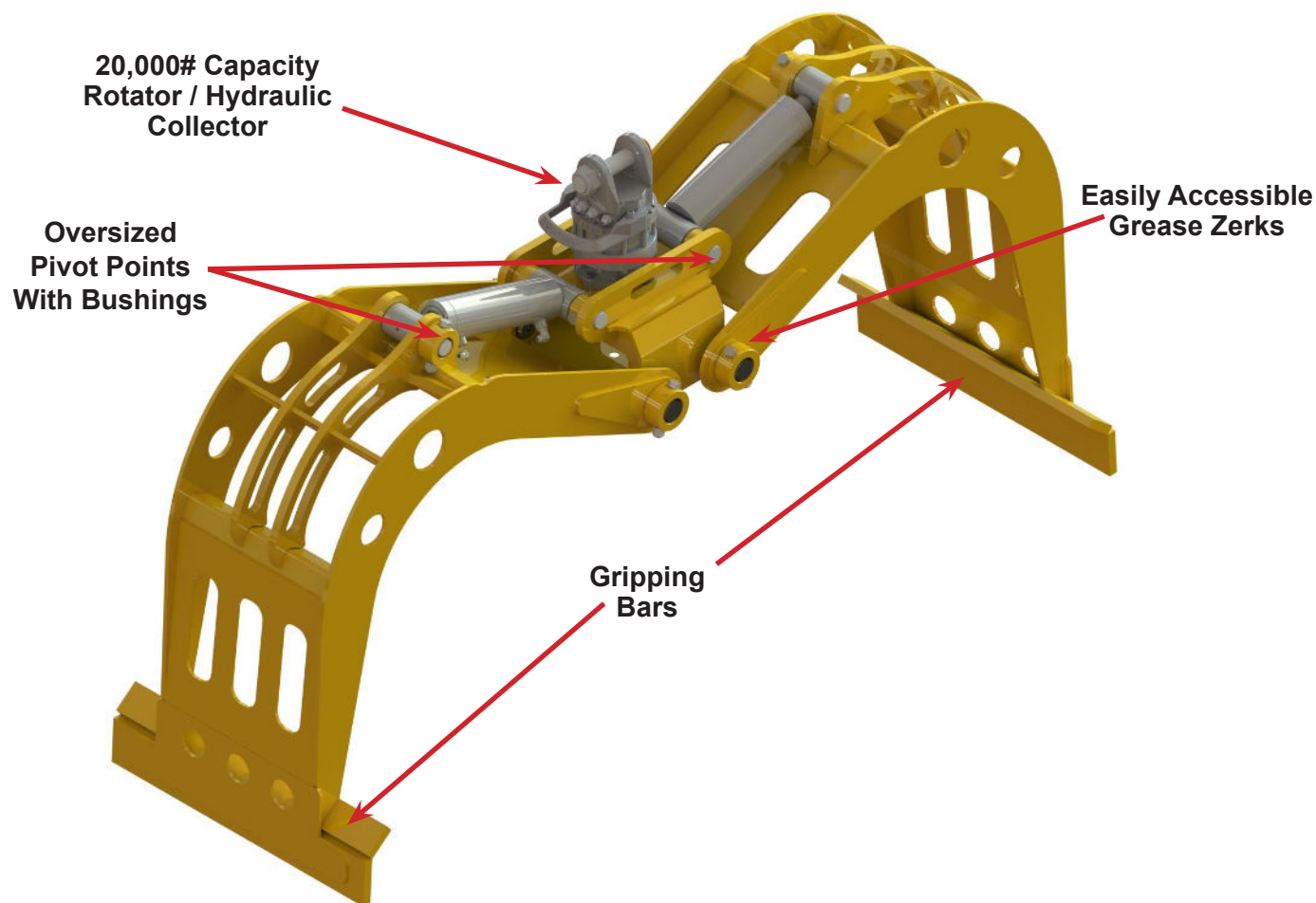


The **Builrite, Mat Handling Grapple** is designed for loading and placing off-road mats, which are used to allow construction equipment and trucks to travel over soft terrain. The finest materials are used to provide maximum durability, exceptional performance and low maintenance, reducing your downtime. Key features include:

- 360° continuous rotation, utilizing a 22,000# capacity rotator.
- High tensile steel used throughout.
- Oversized, hardened cylinder and arm pivot pins with replaceable bushings.
- High pressure cylinders.
- Easily accessible, yet well protected grease zerks.

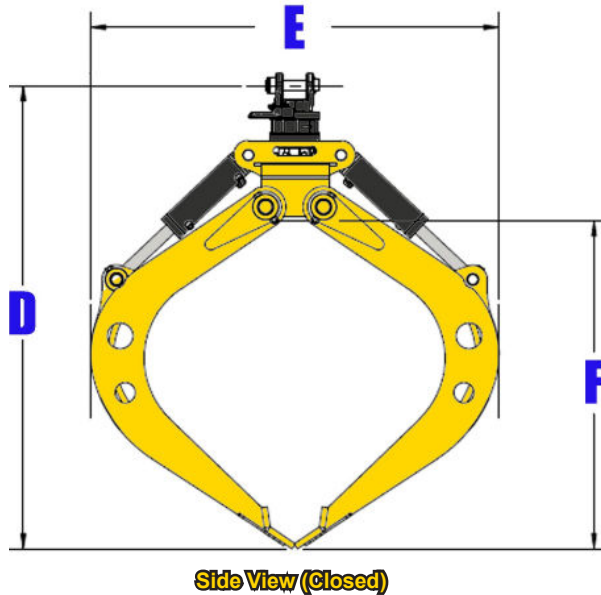
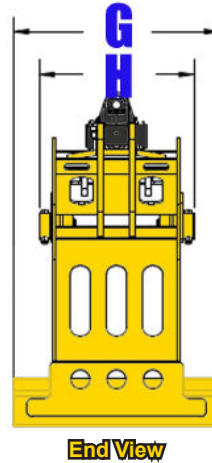
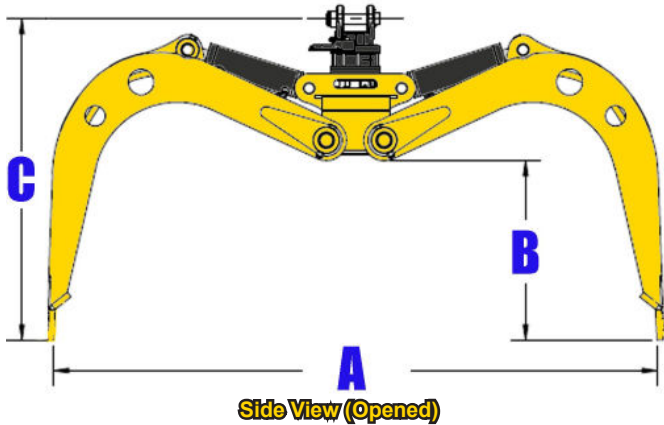
Options Include:

- Custom built connecting links to adapt to all appropriately sized material handlers and excavators.



Builtrite, Mat Handling Grapple Specifications

Model	*Weight		Opening		Jaw Height @ Full Open		Height @ Full Open		Height @ Full Close		Side Width @ Close		Jaw Height @ Full Close		Outside Tine Width		Pin Retainer Width	
	Lbs.	Kg.	in.	mm	in.	mm	in.	mm	in.	mm	in.	mm	in.	mm	in.	mm	in.	mm
MHG 75	1,500	682	104	2,642	31	787	55	1,397	80	2,032	70	1,778	56	1,422	35.5	902	26.75	679



Hydraulic Requirements		
	Flow GPM / LPM	Pressure PSI / Bar
Open / Close	35 / 170	3-5,000 / 207-345
Rotation	6 / 23	1,800 / 124



BUILTRITE LEMCO RESERVES THE RIGHT TO CHANGE SPECIFICATIONS AND PRICES WITHOUT NOTICE IN ORDER TO FOLLOW ITS POLICY OF CONSTANTLY STRIVING TO MANUFACTURE A BETTER PRODUCT WITHOUT INCURRING ANY LIABILITY TO PROVIDE THESE NEW FEATURES ON ANY UNITS PREVIOUSLY MANUFACTURED.

Builtrite Manufacturing

530 Recycle Center Drive, Two Harbors, Minnesota, U.S.A. 55616

Web: www.builtrite.com E-Mail: info@builtrite.com Phone: 218-834-5555 Fax: 218-834-5556

