

Truck Mounted Material Handlers

Model 2280-TM Fold-Away Stabilizers



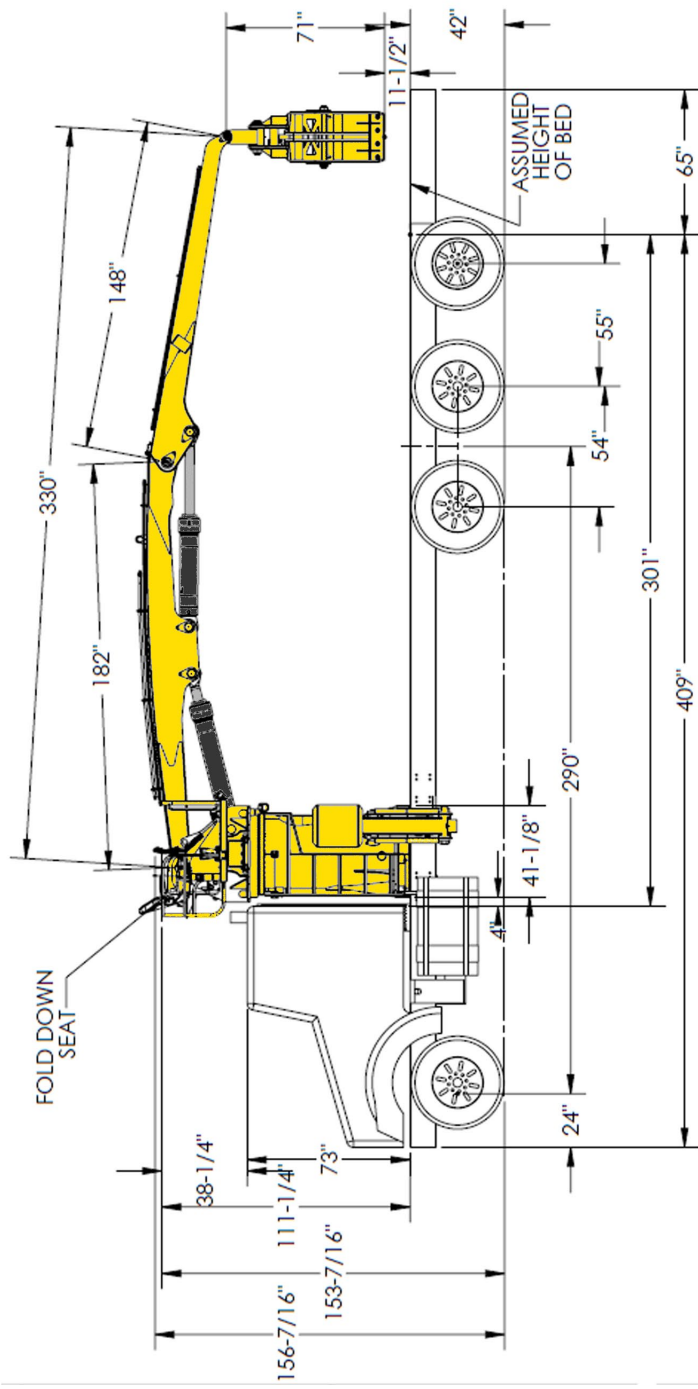
The **Builtrite™, Model 2280, Truck Mounted Material Handler** is Builtrite's largest and most powerful while offering superior operator controls, comfort and safety features. This loader is designed for highway contractors, foundation drilling contractors, pipeline contractors and any other applications, requiring heavy lift capabilities. Key features include:

Increased Lift Capacity

The 2280 offers superior lifting capability as compared to anything on the market today. Using state of the art, high strength steels, the loader weight to lift capacity has shown significant improvement, as compared to previous designs. Please see lift capacity charts on page 3.

Main Boom and Jib Boom Design

- 1] Fabricated Main Boom and Jib boom, made from high tensile steel.
- 2] Boom Length - Two options: 25'6" or 27'6".
- 3] Two high powered, LED lights mounted to each side of upper jib boom. Additional light mounted on inside of operator guard.
- 4] Aluminum bronze bushings on all pivot points. 4" Cylinder pins for excellent surface area to force ratio.



Hydraulic System

- 1] Pilot operated, pressure compensated load sense controls using a single, variable piston pump operating at 4,500 PSI. This operating system is 20% faster and more energy efficient than traditional gear pump systems. Requires 1450-1550 0 RPM @ Pump for maximum performance and efficiency.
- 2] Ergonomic joystick controls to alleviate fatigue.
- 3] Highly efficient, pressure compensated sections in main control valve.
- 4] 60 gallon hydraulic tank mounted to loader with easily serviceable, high capacity, in tank return filter.
- 5] High capacity, 12 Volt oil cooler with bypass.
- 6] Hydraulic / Electric collector features 10 hydraulic passes and 8 electrical passes for operating a variety of attachments, magnets, additional lighting, etc.

Rotation System

- 1] Continuous rotation using heavy duty, 39" rotation bearing (42 bolts top/bottom) and hydraulic motor/gearbox capable of providing 6 RPM and 34,590 Ft. Lbs. of torque.
- 2] Foot pedal controlled.

Tower

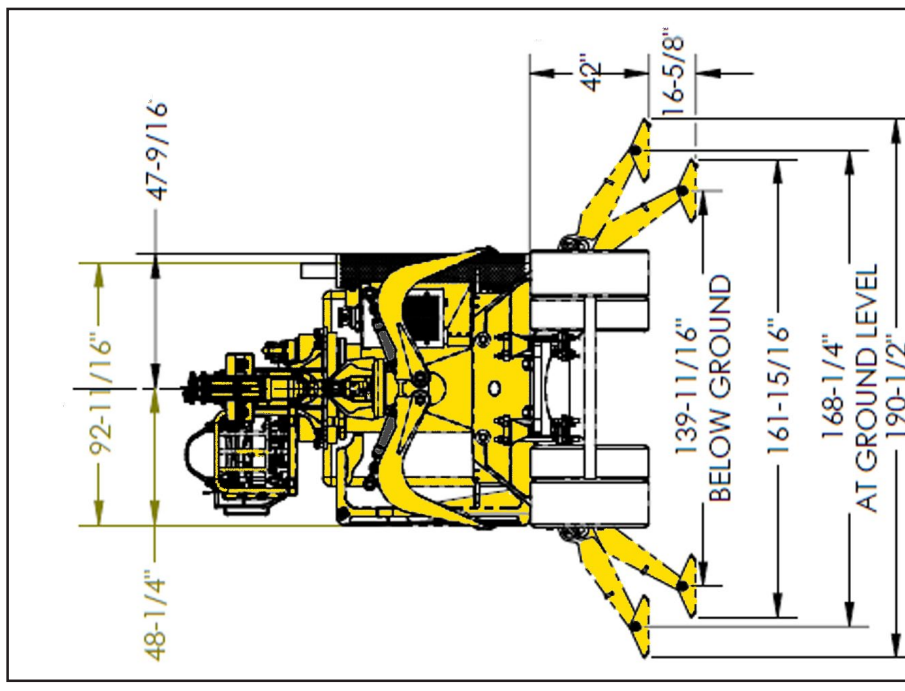
- 1] Fabricated structure with enhanced access to hydraulic and electrical collector, with easily removable metal covers.
- 2] 18" wide ladder, featuring 2" deep rungs with grip strut treading for maximum traction/anti slip. Solid round, 3/4" diameter steel rod, hand grips.
- 3] The tower requires 42" of truck frame.

Platform

- 1] Platform rotates with operator for maximum visibility.
- 2] Ergonomic seat and joystick controls for maximum comfort.
- 3] Safety guard rail around operator and heavy duty, front shield.
- 4] Comfortable, fold down operator's seat with seat belt.

Stabilizers

- 1] Independently operated, fold away type stabilizer legs allow loader to be operated on uneven surfaces. Controls located on operator's platform.
- 2] Stabilizer leg pins and cylinder pins are easily accessible for ease of service.
- 3] Dimensions- See diagram to the right:



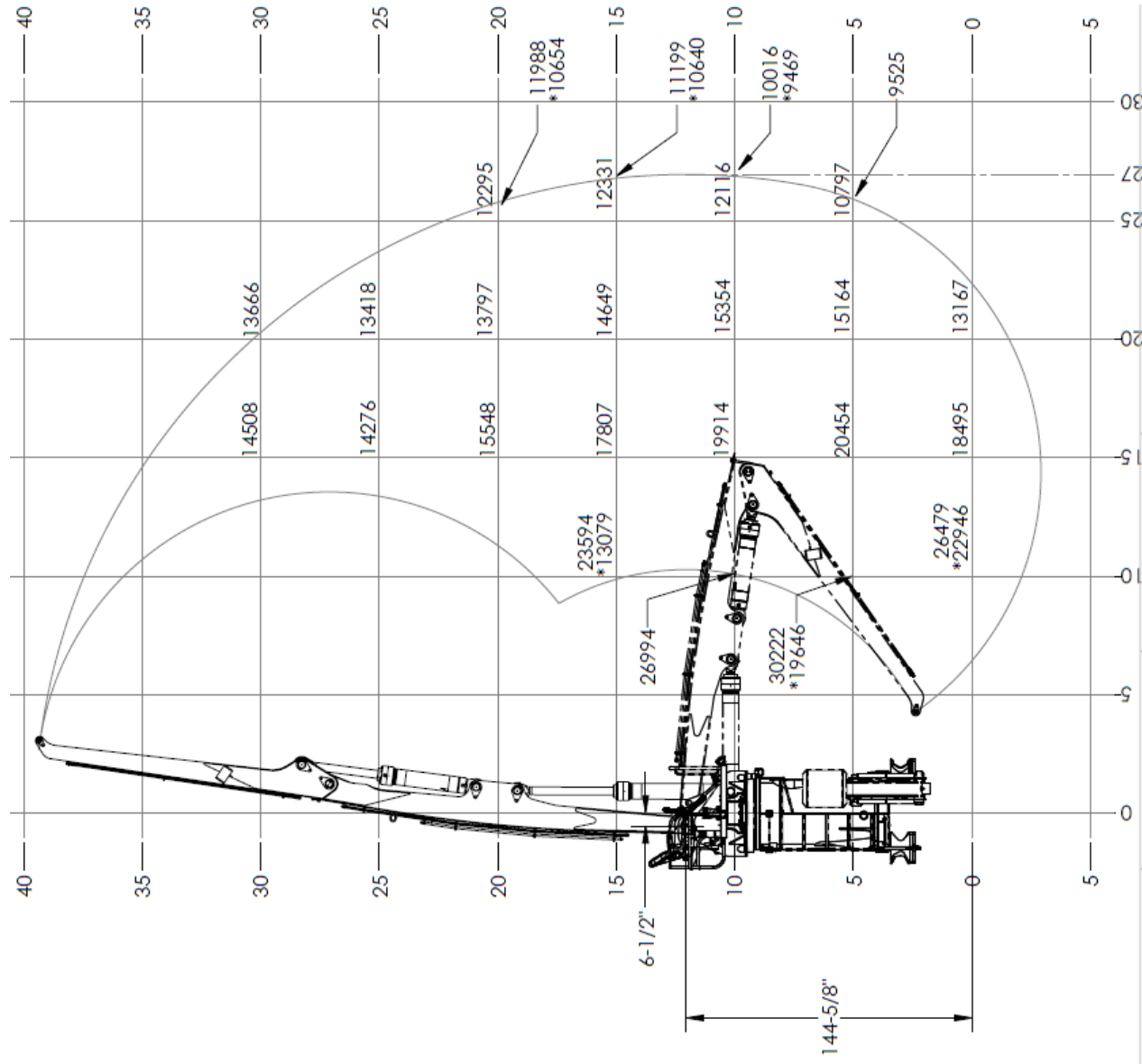
Cylinders

- 1] Designed for high pressure.
- 2] Induction hardened rods on main and jib cylinders for better protection against impact.
- 3] Robotic welded barrels / Inertia welded rod/rod eyes.
- 4] Built in hydraulic slow downs.
- 5] 4" Cylinder pins and bearings for longer life.

Miscellaneous

- 1] The weight of the loader, minus the attachment is 11,900 Lbs. (5,409 Kg.)
- 2] Buitrite offers a wide variety of attachments to suit numerous applications.
- 3] Mounting bolts, Cooler and Hydraulic Tank are included in the price of the loader.
- 4] Lubrication - a centralized, lubrication manifold block is provided and can be greased while the operator is sitting down in his seat. This system greases all pivot points except the jib tip and attachment.
- 5] Standard colors are Buitrite yellow, white or black. Custom colors available upon request.

Lift Capacity Chart With 27 Boom



Note: The lift capacities shown above do not reflect the weight of a grapple, connecting link or any other attachment. Attachment weights must be deducted from the above figures to gauge the lift capacity with these attachments.

Buitrite Manufacturing

530 Recycle Center Drive, Two Harbors, Minnesota, U.S.A. 55616

Web: www.buitritehandlers.com E-Mail: info@buitritehandlers.com Phone: 218-834-5555 Fax: 218-834-5556