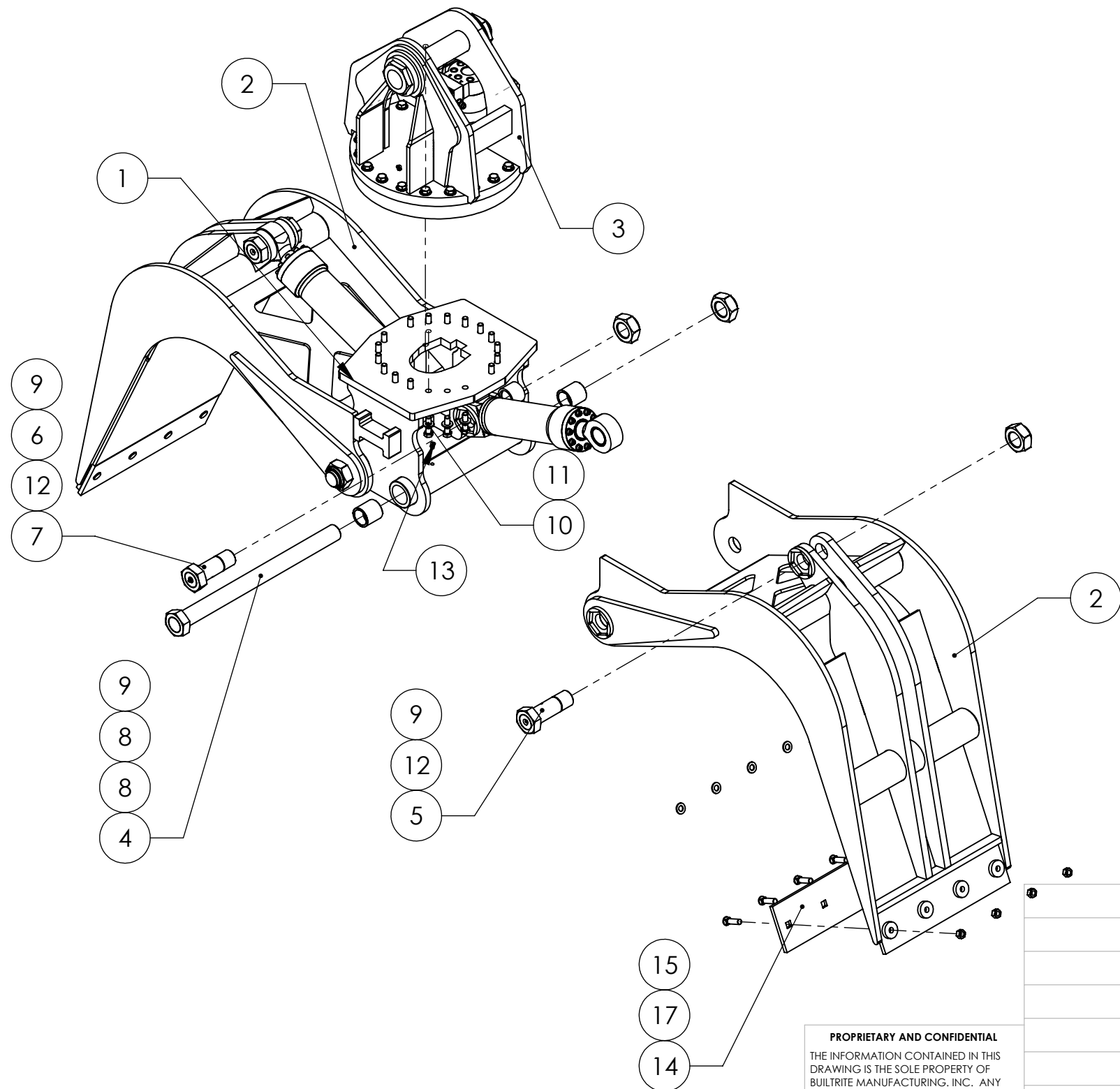


REVISIONS				
ZONE	REV.	DESCRIPTION	DATE	APPROVED
A2, B2	A	ECN 1501 CHANGED PLOWBOLT & ADDED HARD WASHER	3/15/2017	PJK

ITEM NO.	PART NUMBER	DESCRIPTION	QTY.
1	18202176	WELDT, LOWER HEAD, 1/2 CD BUTT HP	1
2	18205326	WEDLT 1/2 CD TIE GRPL ARM	2
3	18202802	ASSY UPPER HEAD 1 MTR 4 PORT 2-3/4	1
4	13201515	BOLT, 2-12 X 26, 4140	2
5	13201469	BOLT, 2-12 X 6, 4140Z	2
6	12200062	BUSHING, BRZ, 2 ID X 2-1/2 OD X 2	2
7	13201471	BOLT- 2-12 X 5-1/2 4140Z	2
8	12100070	BUSHING 2.00 X 2.50 X 2.50	4
9	35100055	NUT- 2-12 NYLOCK	6
10	35100387	BOLT- 5/8-11 x 2-1/4 HHCS GR8	18
11	35100278	WASHER- 5/8 FLAT GR9	26
12	35100267	GREASE FITTING- 1/8 STRAIGHT	4
13	35100534	GREASE FITTING- 1/8 45°	2
14	18205327	GRADER BLADE 1/2 CD TIE GRPL	2
15	35103645	NUT- 5/8-11 HEX PLOWBOLT	8
16	17202181	ASSY CYL 3.5 X 10 X 2	2
17	35104006	BOLT- 5/8-11 X 2.5 PLOWBOLT GR8 PLAIN FINISH	8

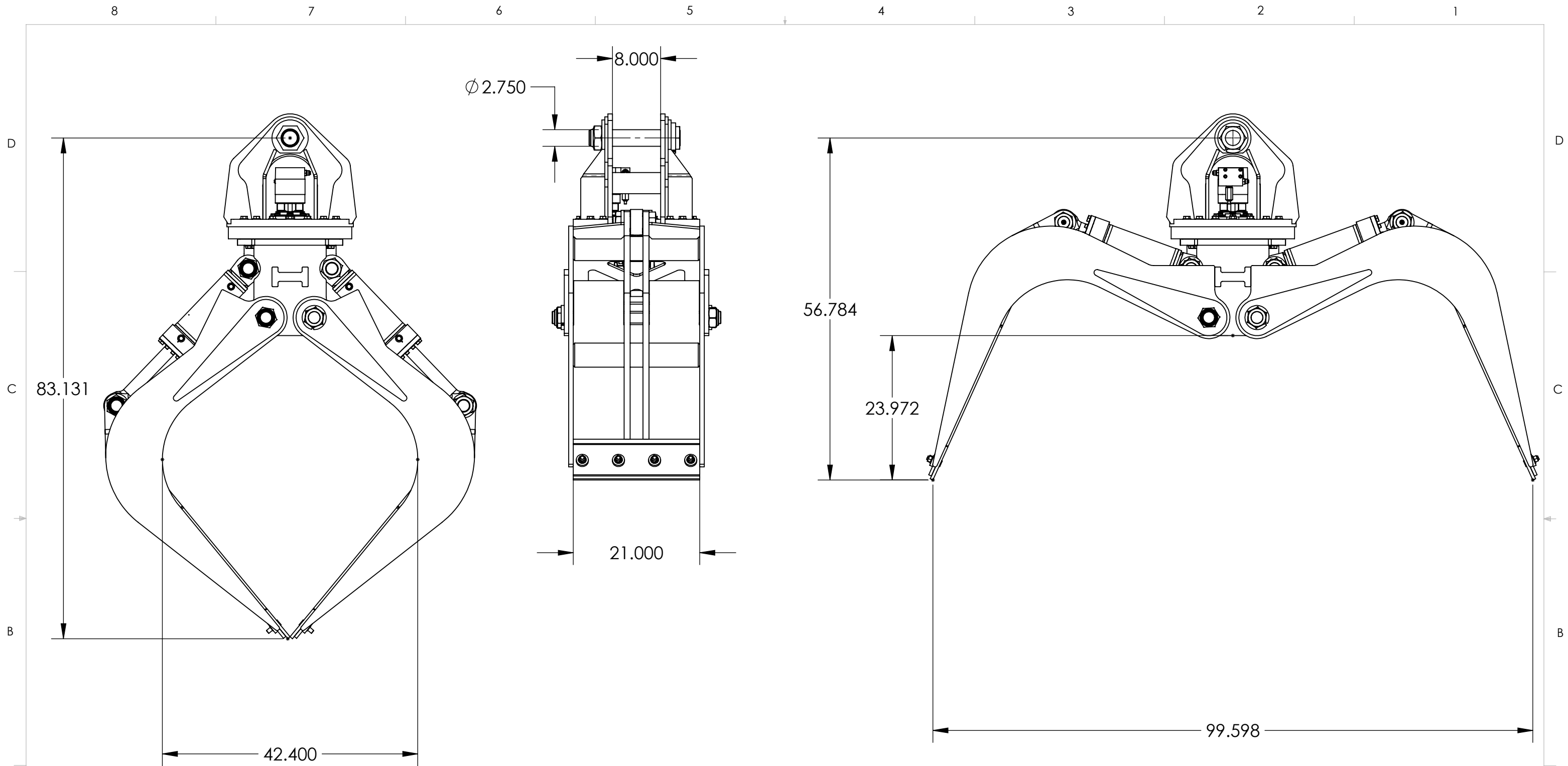


APPLY LOCTITE C-5A ANTI-SIEZE COMPOUND NO.51007 TO 5/8-11 X 2-1/4 HHCS BOLTS (ITEM 11), 18 PLACES, AND TORQUE TO 176 FT-LBS

APPLY LOCTITE RED THREAD LOCKER TO BLOWBOLT ITEM 18 THREADS & TORQUE NUT TO 128 FT LBS

**PROPRIETARY AND CONFIDENTIAL**  
 THE INFORMATION CONTAINED IN THIS DRAWING IS THE SOLE PROPERTY OF BUILTRITE MANUFACTURING, INC. ANY REPRODUCTION IN PART OR AS A WHOLE WITHOUT THE WRITTEN PERMISSION OF BUILTRITE MANUFACTURING IS PROHIBITED.

UNLESS OTHERWISE SPECIFIED:		NAME	DATE	BUILTRITE MFG. INC.			
DIMENSIONS ARE IN INCHES		DRAWN	JWC	9/21/2016	TITLE: <b>ASSY TIE GRPL 1/2 CD BUTT HP</b>		
TOLERANCES:		CHECKED					
FRACTIONAL ±		ENG APPR.					
ANGULAR: MACH ± BEND ±		MFG APPR.					
TWO PLACE DECIMAL ±		Q.A.			SIZE	DWG. NO.	REV
THREE PLACE DECIMAL ±		COMMENTS:			<b>B</b>	<b>18205320</b>	<b>A</b>
INTERPRET GEOMETRIC TOLERANCING PER:				SCALE: 1:16	2130.75	SHEET 1 OF 3	
MATERIAL							
FINISH							
NEXT ASSY	USED ON						
APPLICATION				DO NOT SCALE DRAWING			



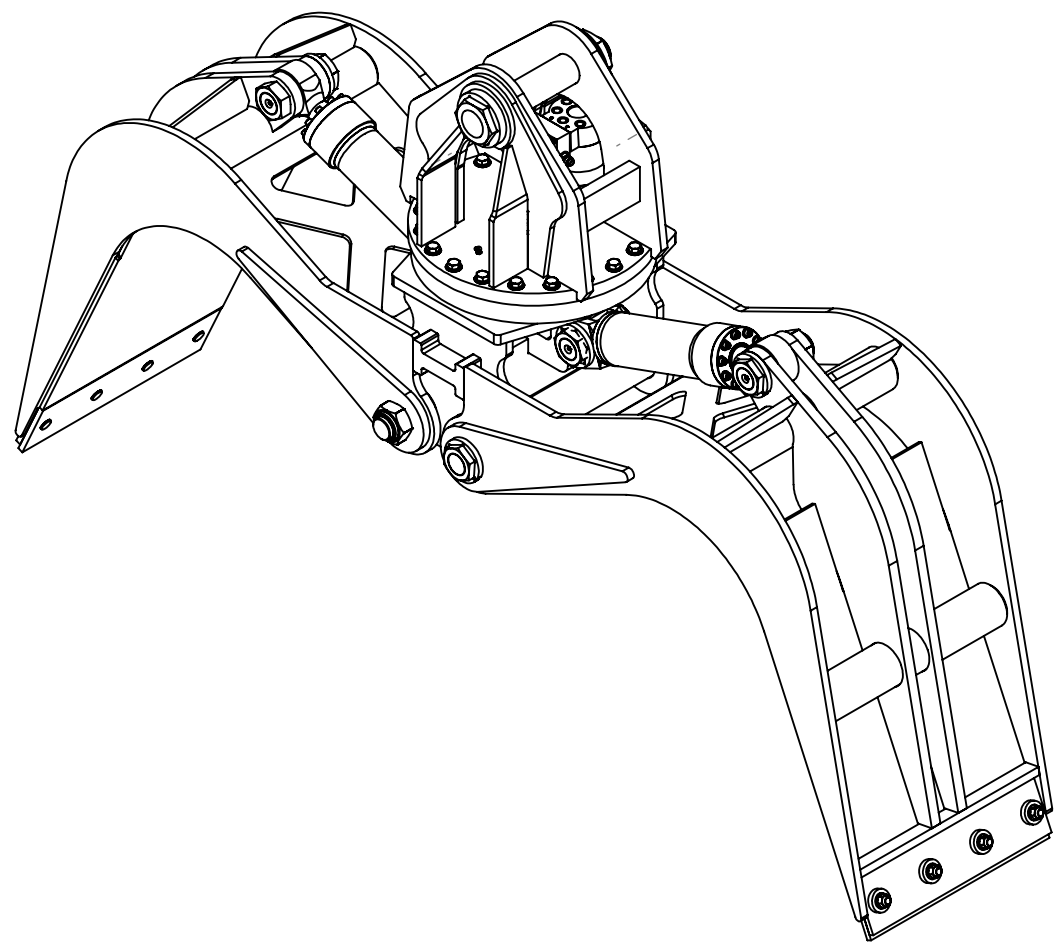
	NAME	DATE	BUILTRITE MFG. INC.	
DRAWN	JWC	9/21/2016	TITLE: ASSY TIE GRPL 1/2 CD BUTT HP	
CHECKED				
ENG APPR.				
MFG APPR.				
Q.A.				
COMMENTS:			SIZE <b>B</b>	DWG. NO. <b>18205320</b>
			REV <b>A</b>	
			SCALE: 1:16	WT. 2130.75
			SHEET 2 OF 3	

DO NOT SCALE DRAWING

8 7 6 5 4 3 2 1

D  
C  
B  
A

D  
C  
B  
A



MATERIAL:

**PROPRIETARY AND CONFIDENTIAL**  
 THE INFORMATION CONTAINED IN THIS DRAWING IS THE SOLE PROPERTY OF BUILTRITE MANUFACTURING, LLC. ANY REPRODUCTION IN PART OR AS A WHOLE WITHOUT THE WRITTEN PERMISSION OF BUILTRITE MANUFACTURING IS PROHIBITED.

		UNLESS OTHERWISE SPECIFIED:		NAME	DATE	BUILTRITE MFG. LLC.	
		DIMENSIONS ARE IN INCHES TOLERANCES: FRACTIONAL ± ANGULAR: MACH ± BEND ± TWO PLACE DECIMAL ± THREE PLACE DECIMAL ±		DRAWN	JWC	9/21/2016	TITLE:
		INTERPRET GEOMETRIC TOLERANCING PER:		CHECKED			ASSY TIE GRPL 1/2 CD BUTT HP
		MATERIAL		ENG APPR.			
		FINISH		MFG APPR.			
NEXT ASSY	USED ON			Q.A.			SIZE
APPLICATION		DO NOT SCALE DRAWING		COMMENTS:			DWG. NO.
							<b>B</b> 18205320
							REV
							A
							SCALE: 1:16
							2130.75
							SHEET 3 OF 3

8 7 6 5 4 3 2 1