



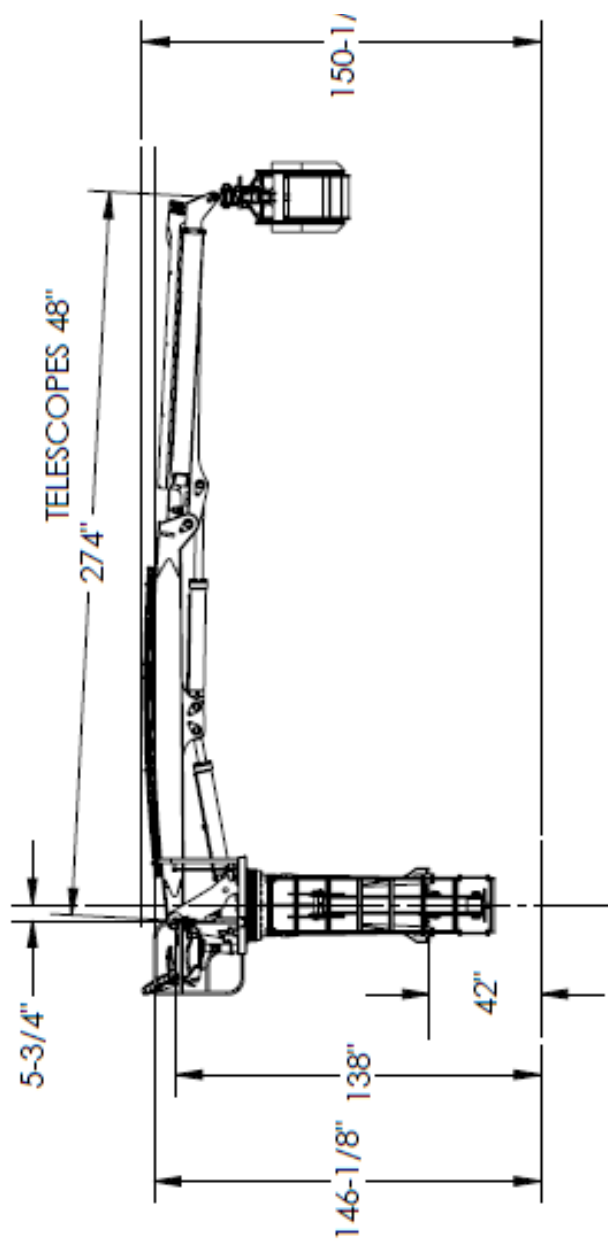
The Bultrite™, Talon 88, Heavy Duty, Truck Mounted Material Handler (Back of Cab and Tail Mounts) offers state of the art features for optimum performance, comfort and safety. Key features include:

Increased Lift Capacity

Please see lift capacity charts on page 3. Overall, the lift capacity has increased significantly from the previous model, especially the jib boom performance.

Main Boom and Jib Boom Design

- 1] Fabricated Main Boom and Jib boom, made from high tensile steel.
- 2] Boom Length - Two options: 22'10" Straight boom or 22'10" with 48" telescopic boom extension (26'10" total reach).
- 3] To keep hoses from looping out and being exposed when the jib is retracted, a unique, slide tray was incorporated to keep the hoses in alignment at the end of the jib, keeping the hoses from harm's way.
- 4] Two high powered, LED lights mounted to each side of upper jib boom. Additional light mounted on inside of operator guard.
- 5] Aluminum bronze bushings on all pivot points.





Hydraulic System

- 1] Pilot operated, pressure compensated load sense controls using a single, variable piston pump operating at 3,250 PSI. This operating system is 20% faster and more energy efficient than traditional gear pump systems. Requires 2000 RPM @ Pump for maximum performance and efficiency.
- 2] Ergonomic joystick controls to alleviate fatigue.
- 3] Highly efficient, pressure compensated sections in main control valve.
- 4] 60 gallon hydraulic tank (Remote mounted) with easily serviceable, high capacity, in tank return filter.
- 5] High capacity, 12 Volt oil cooler with bypass.
- 6] Hydraulic / Electric collector features 4 hydraulic passes and 23 electrical passes for operating a variety of attachments, magnets, additional lighting, etc. The 3,250 PSI operating pressure is ideal for running grapple saws.

Rotation System

- 1] Continuous rotation using heavy duty, 27" rotation bearing and hydraulic motor/gearbox capable of providing 7 RPM and 8,700 Ft. Lbs. of torque.
- 2] Foot pedal or joystick controlled.

Tower

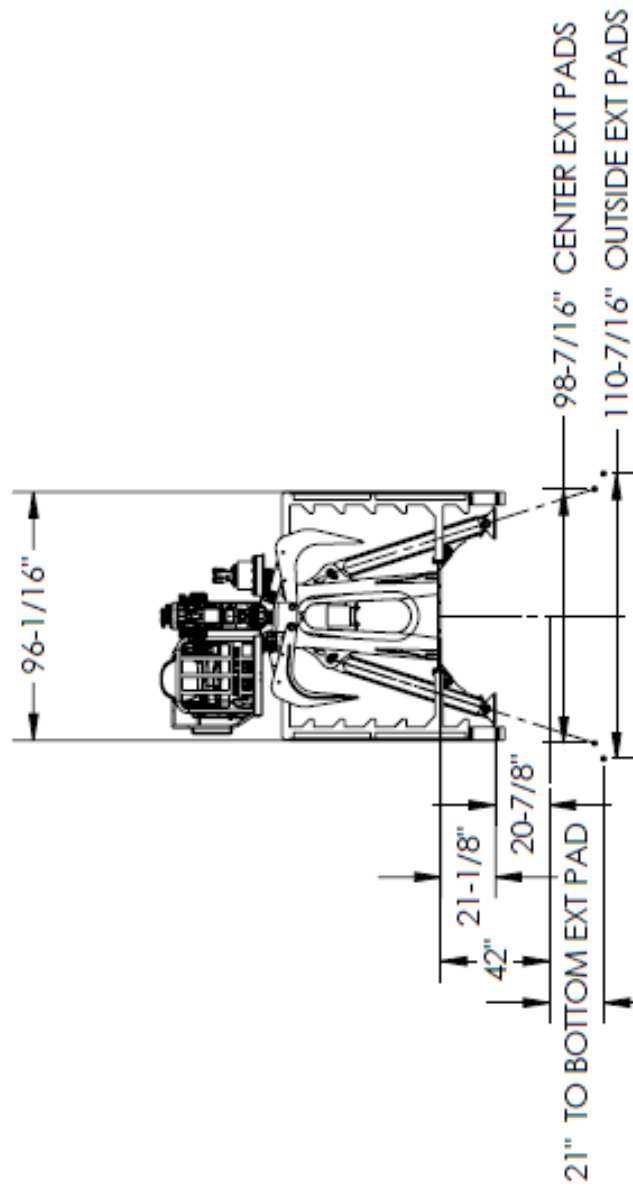
- 1] Fabricated structure with enhanced access to hydraulic and electrical collector, with easily removable metal covers.
- 2] 20" wide, dual ladders, featuring 2" deep rungs with grip strut treading for maximum traction/anti slip. Solid round, 3/4" diameter steel rod, hand grips.
- 3] The tower requires 26" of truck frame and can be mounted either as a back of cab, tail mount or trailer mount.

Platform

- 1] Platform rotates with operator for maximum visibility.
- 2] Ergonomic seat and joystick controls for maximum comfort.
- 3] Safety guard rail around operator and heavy duty, front shield.
- 4] Comfortable, fold down operator's seat with seat belt.

Stabilizers

- 1] Independently operated stabilizer legs allow loader to be operated on uneven surfaces. Controls located on operator's platform.
- 2] Fixed leg pads or swivel leg pads form to the contour of the ground, providing maximum surface contact for enhanced stability.
- 3] Stabilizer legs and cylinders are removable above ground for easier serviceability.
- 4] Dimensions- See below:





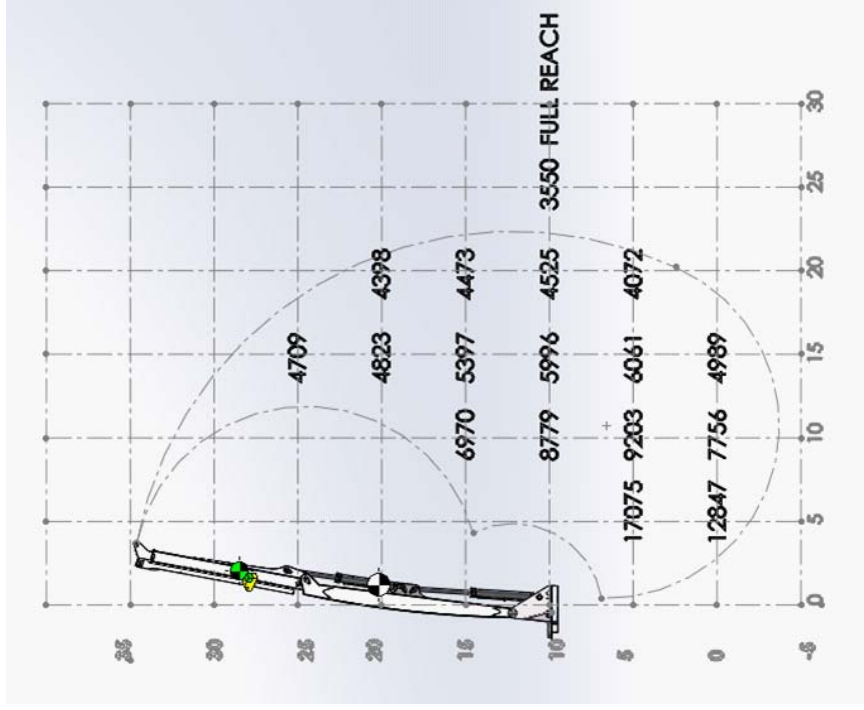
Cylinders

- 1] Designed for high pressure.
- 2] Built in, counterbalance (load locks), on all cylinders, including stabilizer legs & grapple.
- 3] Induction hardened rods on main and jib cylinders for better protection against impact.
- 4] Robotic welded barrels / Inertia welded rod/rod eyes.
- 5] Built in hydraulic slow downs.
- 6] 2.5" Cylinder pins and bearings for longer life.

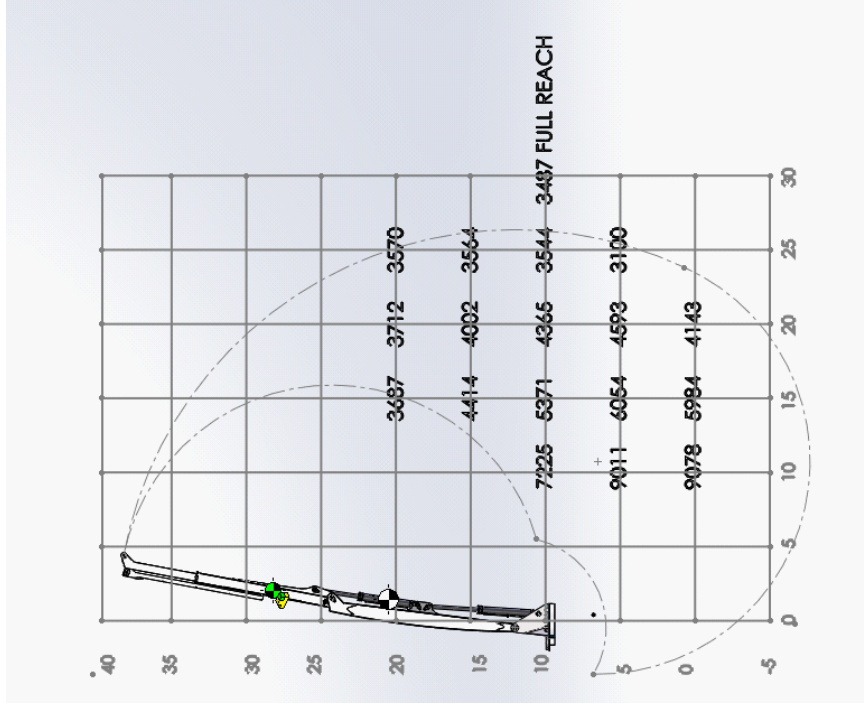
Miscellaneous

- 1] The weight of the loader, minus the attachment is 6,250 Lbs. (2,840 Kg.)
- 2] Builtrite offers a wide variety of attachments to suit numerous applications.
- 3] Mounting bolts are included in the price of the loader.
- 4] Lubrication - a centralized, lubrication manifold block is provided and can be greased while the operator is sitting down in his seat. This system greases all pivot points except the jib tip and attachment.
- 5] Standard colors are Builtrite yellow, white or black. Custom colors available upon request.

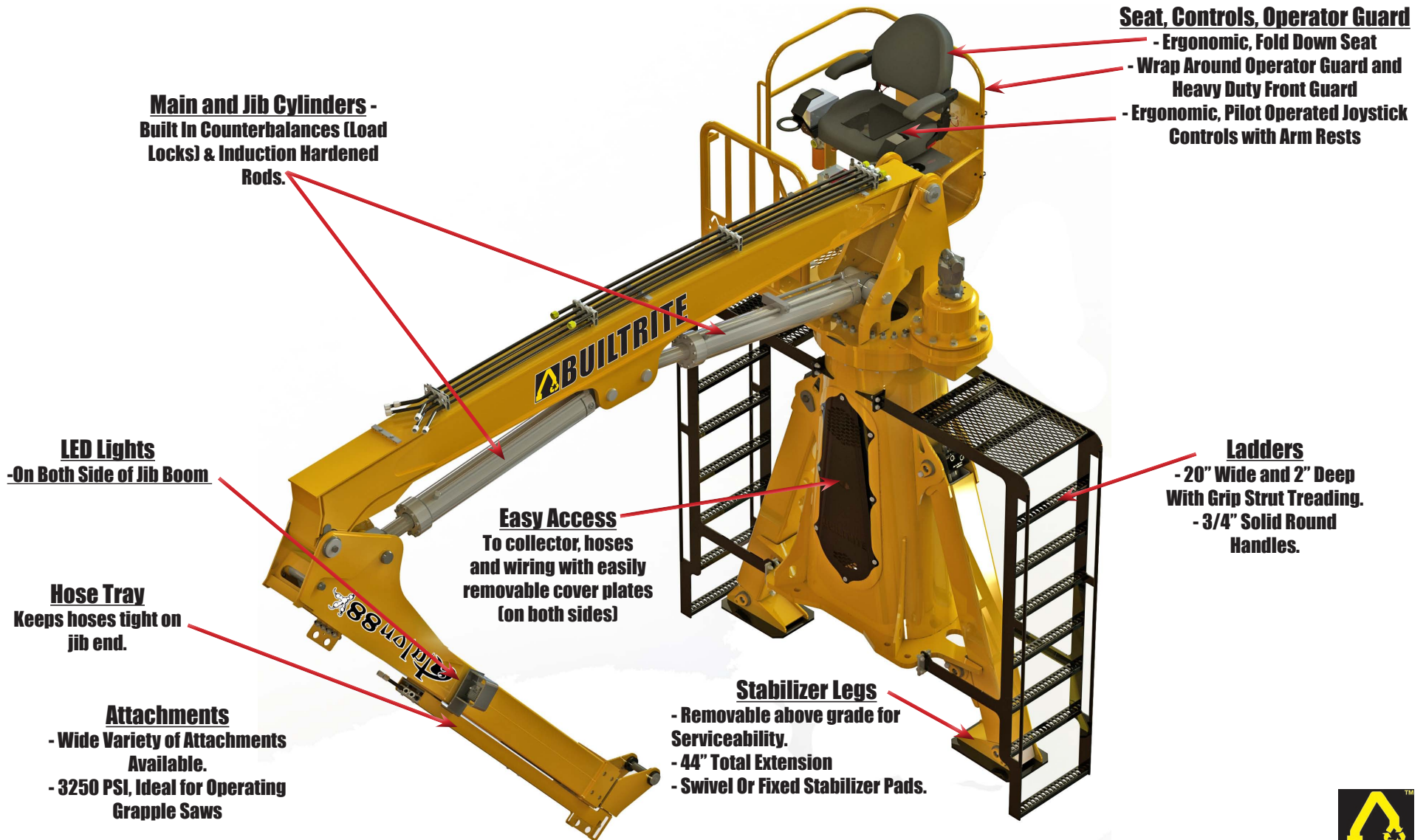
**Lift Capacity Chart @ 22'
(Telescopic Section Retracted)**



**Lift Capacity Chart @ 26'
(Telescopic Section Extended)**



Note: The lift capacities shown above do not reflect the weight of a grapple or magnet. Grapple and/or magnet weights must be deducted from the above figures to gauge the lift capacity with these attachments.



Main and Jib Cylinders -
Built In Counterbalances (Load
Locks) & Induction Hardened
Rods.

Seat, Controls, Operator Guard

- Ergonomic, Fold Down Seat
- Wrap Around Operator Guard and Heavy Duty Front Guard
- Ergonomic, Pilot Operated Joystick Controls with Arm Rests

LED Lights
-On Both Side of Jib Boom

Hose Tray
Keeps hoses tight on
jib end.

Easy Access
To collector, hoses
and wiring with easily
removable cover plates
(on both sides)

Ladders
- 20" Wide and 2" Deep
With Grip Strut Treading.
- 3/4" Solid Round
Handles.

Stabilizer Legs
- Removable above grade for
Serviceability.
- 44" Total Extension
- Swivel Or Fixed Stabilizer Pads.

Attachments
- Wide Variety of Attachments
Available.
- 3250 PSI, Ideal for Operating
Grapple Saws



BUILTRITE MANUFACTURING RESERVES THE RIGHT TO CHANGE SPECIFICATIONS AND PRICES WITHOUT NOTICE IN ORDER TO FOLLOW ITS POLICY OF CONSTANTLY STRIVING TO MANUFACTURE A BETTER PRODUCT WITHOUT INCURRING ANY LIABILITY TO PROVIDE THESE NEW FEATURES ON ANY UNITS PREVIOUSLY MANUFACTURED.

Builtrite Manufacturing

530 Recycle Center Drive, Two Harbors, Minnesota, U.S.A. 55616

Web: www.builtritehandlers.com E-Mail: info@builtritehandlers.com Phone: 218-834-5555 Fax: 218-834-5556