

Builtrite Bypass Utility Grapples are designed for handling a wide variety of wood and other materials including logs, brush, railroad ties, pallets, etc. With their by-passing tines, they excel in picking up both individual items and multiple items.

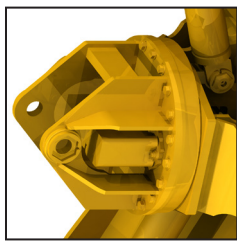
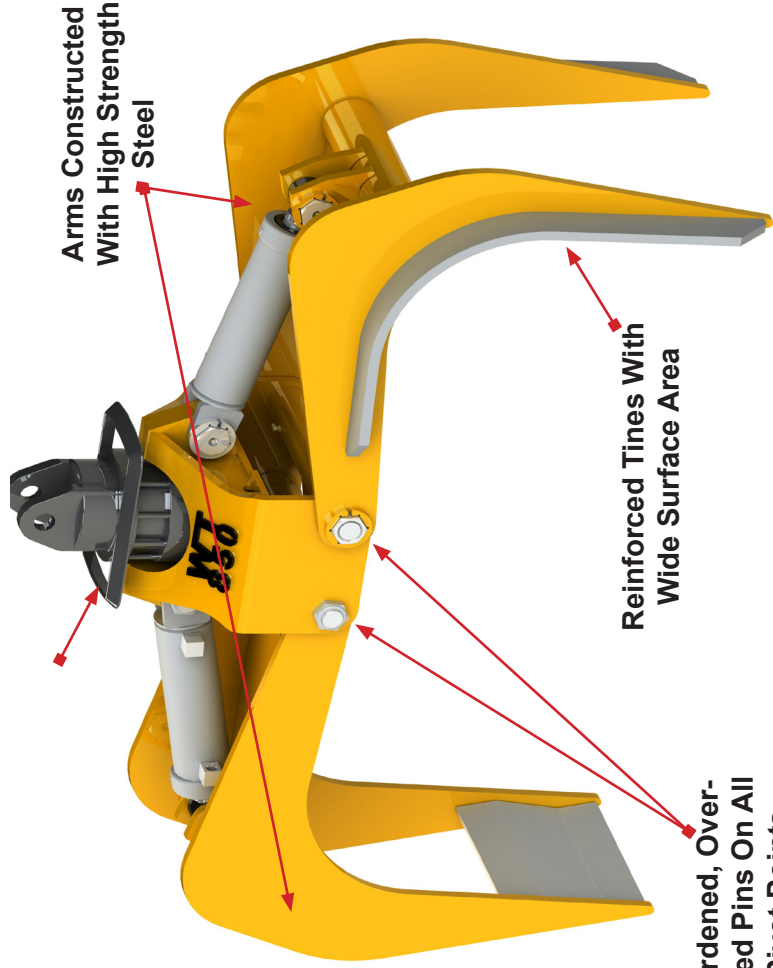
Key features include:

- 3 rotation options including 280° non-continuous, 360° continuous rotation with Indexator & 360° continuous with heavy duty bearing, high torque motor and a high pressure hydraulic swivel.
- High tensile steel (100,000 Yield Strength) used on grapple arms.
- Oversized, hardened cylinder and arm pivot pins with replaceable bushings.
- Heavy duty cylinders (high pressure and low pressure options).
- Easily accessible, yet well protected grease zerks.
- Made in the U.S.A., at our Two Harbors, Minnesota facility.

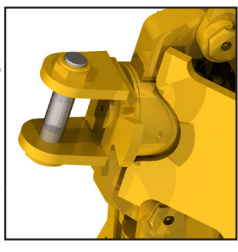
If you're looking for the toughest, most durable grapple on the market, look no further...Make it a **Builtrite**.

3 Rotation Options

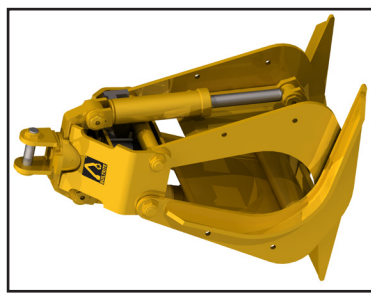
(Indexator Shown-see illustrations to right for other options)



Heavy Duty Rotator
(20" Bearing)



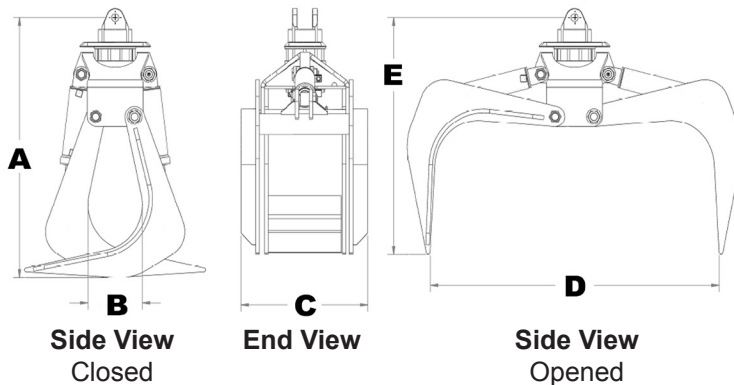
280° Rotator



Grapple Fully Closed

By-Pass Utility Grapple Specifications

Model	*Weight		Height Closed (A)		Opening @ Full Close (B)		End Width (C)		Grapple Opening (D)		Height Open (E)	
	Lbs.	Kg.	in.	mm	in.	mm	in.	mm	in.	mm	in.	mm
1/5 Cord 280°	800	363	45	1,143	7	179	26	660	44	1,118	41	1,041
1/5 Cord 360° Indexator	815	370										
1/5 Cord 360° HD	950	432										
1/4 Cord 280°	815	370	51	1,295	8	203						
1/4 Cord 360° Indexator	840	382										
1/4 Cord 360° HD	1,055	480										
1/3 Cord 280°	830	377	60	1,524	11	279						
1/3 Cord 360° Indexator	855	389										
1/3 Cord 360° HD	1,150	523										
1/2 Cord 280°	845	384	70	1,778	14	356						
1/2 Cord 360° Indexator	870	395										
1/2 Cord 360° HD	1,375	625										



Hydraulic Requirements		
	Flow GPM / LPM	Pressure PSI / Bar
Open / Close	25 / 94	3-5,000 / 207-345
Rotation	8 / 30	1,800 / 124



NOTE: Bultrite Manufacturing reserves the right to change specifications and prices without notice in order to follow its policy of constantly striving to manufacture a better product without incurring any liability to provide these new features on any units previously manufactured.

Bultrite Manufacturing, Inc.

530 Recycle Center Drive, Two Harbors, Minnesota, U.S.A. 55616

Web: www.bultritehandlers.com E-Mail: info@bultritehandlers.com Phone: 218-834-5555 Fax: 218-834-5556

