

The **Builtrite™ Bale Clamp Grapple** is designed with the professional waste processor in mind to provide maximum durability and low maintenance, reducing your downtime. This grapple is specifically designed to load and unload bales of solid waste, without damaging them. Key features include:

- 360° continuous rotation, using a heavy duty bearing. Our rotators are designed for the specific carrier they are mounted to, providing long life with minimal maintenance requirements.
- Dimpled arms allow for a solid grip while preventing the clamp from damaging shrink-wrapped bales.
- Cylinder is designed for high pressure, continuous use. It is well shrouded to prevent material from damaging the rod or other components.

If you're looking for the toughest, most durable grapple on the market, look no further...make it a **Builtrite™**.

Customized, Heavy Duty Connecting Link (Yoke)

360° Continuous Rotator With Heavy Duty Bearing and Motor

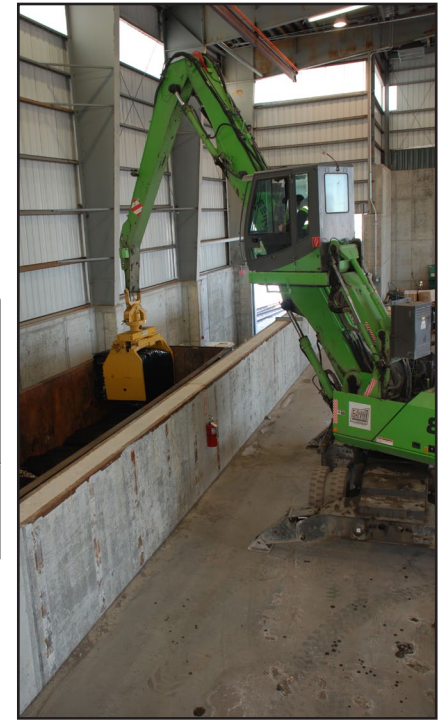
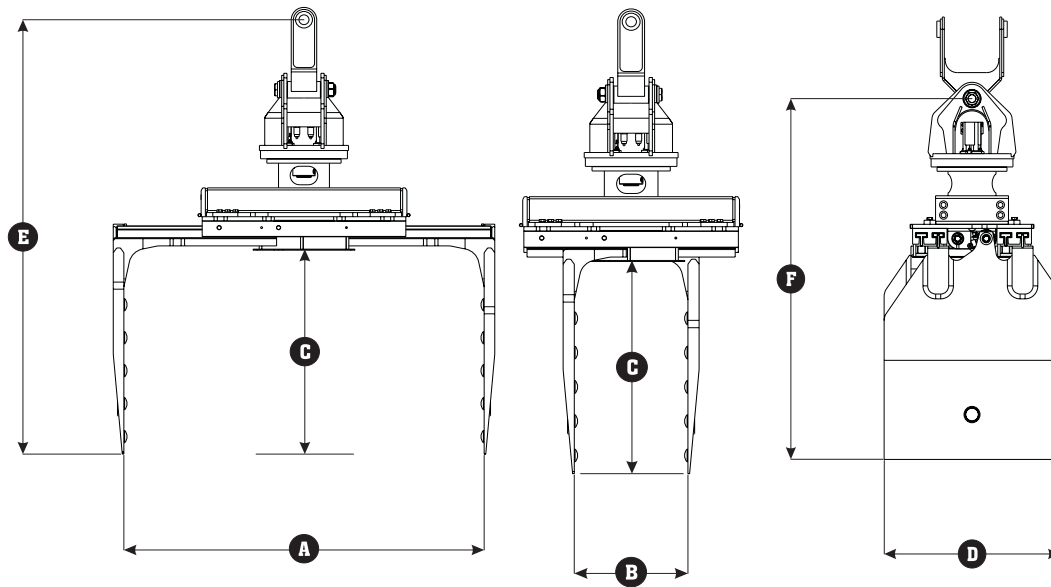
Sliding Bars With Fully Protected Cylinder

Solid Steel Clamps With Dimples For Gripping Bales



Bale Clamp Grapple Specifications

Model	Weight		Full Open		Full Close		Height of Tines		Width		Height Overall		Height to Upper Head	
	Lbs.	Kg.	(A) in.	(A) mm	(B) in.	(B) mm	(C) in.	(C) mm	(D) in.	(D) mm	(E) in.	(E) mm	(F) in.	(F) mm
BCG	4,760	2,164	85	2,159	25	635	49	1,245	44	1,118	105	2,667	88	2,235



HYDRAULIC REQUIREMENTS		
	Max. Flow GPM / LPM	Max. Pressure PSI / Bar
Bale Clamp Grapple		
Open / Close	20 / 76	3000 / 207
Rotation	6 / 23	1750 / 121



BUILTRITE MANUFACTURING RESERVES THE RIGHT TO CHANGE SPECIFICATIONS AND PRICES WITHOUT NOTICE IN ORDER TO FOLLOW ITS POLICY OF CONSTANTLY STRIVING TO MANUFACTURE A BETTER PRODUCT WITHOUT INCURRING ANY LIABILITY TO PROVIDE THESE NEW FEATURES ON ANY UNITS PREVIOUSLY MANUFACTURED.

Builtrite Manufacturing

530 Recycle Center Drive, Two Harbors, Minnesota, U.S.A. 55616

Web: www.builtritehandlers.com E-Mail: info@builtritehandlers.com Phone: 218-834-5555 Fax: 218-834-5556